

System EW - KI single wall stainless steel flue system

Ø / PRICE (£)

CODE	DESCRIPTION
LENGTHS	
EWKL.6D0000.002	Length 1000 mm
EWKL.6D0000.003	Length 500 mm
EWKL.6D0000.004	Length 250 mm
EWKL.6D0000.222	Length 330 mm
EWKL.6D0000.223	Length 200 mm
EWKL.6D0000.224	Length 150 mm
EWKL.6D0000.114	Adjustable Length 320-480 mm
ELBOWS & TEES	
EWKL.6D0000.009	Elbow 15°
EWKL.6D0000.010	Elbow 30°
EWKL.6D0000.011	Elbow 45°
EWKL.6D0000.012	Elbow 87°
EWKL.6D0000.013	Elbow 90°
EWKL.6D0000.023	Tee 135°
EWKL.6D0000.118	Tee 135° with branch in EW ECO
EWKL.6D0000.008	Tee 87°
EWKL.6D0000.117	Tee 87° with branch in EW ECO
EWKL.6D0000.006	Elbow 87° with support
EWKL.6D0000.276	Elbow 87° with support to EW ECO
INSPECTION	
EWKL.6D0000.112	Inspection Length
EWKL.6D0000.007	Inspection Length with square door
EWKL.6D0000R.007	Inspection Length with door 400°
EWKL.6D0000.030	Inspection Length with door 200° 200pa
EWKL.6D00HT.030	Inspection Length with door 600° 5000pa
EWKL.6D0000.001	Tee-cap with side drain
TERMINALS	
ZUDA.004D00.025	Flat flashing with storm collar
EWKL.6D0000.130	Ventilated Universal flashing
ZUDA.004D00.028	Rain cap
ADAPTORS	
EWKL.6D0000.123	Appliance adaptor Ø
-	Increaser Ø (xy)
-	Decreaser Ø
SUPPORTS & BRACKETS	
ZUWA.004D00.041	Locking band
ZUWA.004D00.535	Wall band
ZUWA.004D00.556	Adjustable wall bracket 50-75mm
ZUWA.004D00.062	Level bracket inox
ZUWA.004D00.040	Descent bracket
FLASHINGS	
ZUDA.00ZS00.072	Fire stop plate
ZUDA.004D00.053	5-15° flashing
ZUDA.004D00.059	16-25° flashing
ZUDA.004D00.038	26-35° flashing
ZUDA.004D00.054	36-45° flashing
ZUDA.004D00.307	Storm collar / Embellisher

Ø 80	Ø 100	Ø 130	Ø 150	Ø 180	Ø 200	Ø 250	Ø 300	Ø 350	Ø 400
36	38	42	45	54	62	81	98	130	146
20	25	34	36	43	43	52	55	63	73
14	18	20	21	24	25	28	32	36	42
18	24	26	27	32	33	36	43	47	54
11	15	17	18	20	20	24	26	29	33
9	11	13	14	15	15	18	20	22	26
60	60	63	67	78	85	94	122	134	141

18	18	20	23	27	34	47	70	81	91
18	18	0	23	27	34	47	70	81	91
18	18	20	23	27	34	47	70	81	91
32	35	40	45	62	83	113	140	182	212
32	35	40	45	62	83	113	140	182	212
104	110	130	144	163	168	175	203	228	235
104	110	130	144	163	168	175	203	228	235
66	67	76	86	108	114	126	138	168	189
66	67	76	86	108	114	126	138	168	189
68	70	76	81	98	121	151	180	226	257
68	70	76	81	98	121	151	180	226	257

41	41	43	45	48	52	58	62	77	85
42	42	45	47	53	64	74	88	117	145
82	82	93	95	105	119	133	137	162	189
88	96	111	114	124	139	153	157	183	210
279	286	302	342	389	420	513	518	568	594
36	36	37	39	42	46	54	57	66	78

35	36	40	46	57	67	74	81	97	111
39	41	47	57	7	87	94	99	113	127
29	29	31	33	33	36	42	49	63	76

23	23	24	25	29	35	42	45	59	72
39	43	45	55	56	88	100	115	132	149
33	39	43	45	55	62	88	100	115	132

11	11	11	14	14	16	19	23	25	27
7	8	8	9	11	14				
36	36	36	38	43	43	45	55	67	78
11	12	13	16	19	22	27	33	36	39
6	6	6	6	8	8	11	13	16	18

17	18	20	25	30	35	43	51	56	62
79	79	90	90	112	115	142	169	195	218
79	79	90	90	112	115	142	169	195	218
90	90	103	103	112	117	155	177	197	222
90	90	103	103	112	117	155	177	197	222
11	12	13	16	19	22	27	33	36	39

EW KL: Single wall stainless steel pressure-tight flue system for combustion engines and CHP's applicable, in negative and positive pressure, (500 Pa) for dry and wet systems. Installation outside chimney ducts possible. Stainless steel grade AISI 316

Ø / PRICE (£)

Ø 450	Ø 500	Ø 600
-------	-------	-------

LENGTHS

179	211	243
103	134	157
44	51	72
58	68	94
36	42	58
27	32	44
154	166	198




002 - 003 - 004




114

ELBOWS & TEES


126	144	190
126	144	190
126	144	190
312	365	499
312	365	499
260	294	396
297	346	432
277	335	422
277	335	422
297	340	449
297	340	449




006




008



012 - 013




011




023

INSPECTION


114	127	153
204	225	302
210	233	278
234	261	314
620	662	713
92	97	130




007



07r




030




030ht

TERMINALS


154	216	289
172	196	263
110	215	241




028



130



025



025

ADAPTORS

94	126	164
171		
149	171	



123





SUPPORTS & BRACKETS

32	46	70
89	126	168
54	71	99
19	27	49



040



042



041



062




556

FLASHINGS

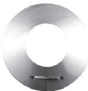
86	112	157
260	296	369
260	296	369
261	307	371
261	307	371
54	71	99



053 - 059 -
038 - 054



072



307

EW - kl

- Suitable for condensing applications

- Suitable for positive pressure 5000Pa, without needing of joint seal

- Maximum constant working temperature 600°C. in accordance with EN-1856-1.

- Plug and socket connection with locking band without needing of joint seal.

- Tig / Laser longitudinal welding system. All items are fully welded

- components marked with * include one locking band and a ring seal.

FINISH OPTIONS

- RAL painting (price on request)
- different grade of Stainless Steel (price on request)
- Copper plated (price on request)